

NEW PRODUCT PREVIEW
TB Series Black GFPP True Union Ball Valves

1/2" TO 2" / DN15 - 50 BLACK GFPP

KEY FEATURES & BENEFITS

- Black GFPP Material with enhanced UV Capabilities
- Full Port Design
- Reversible PTFE Seats
- Double O-Ring Stem Seals
- Easily Actuated

OPTIONS

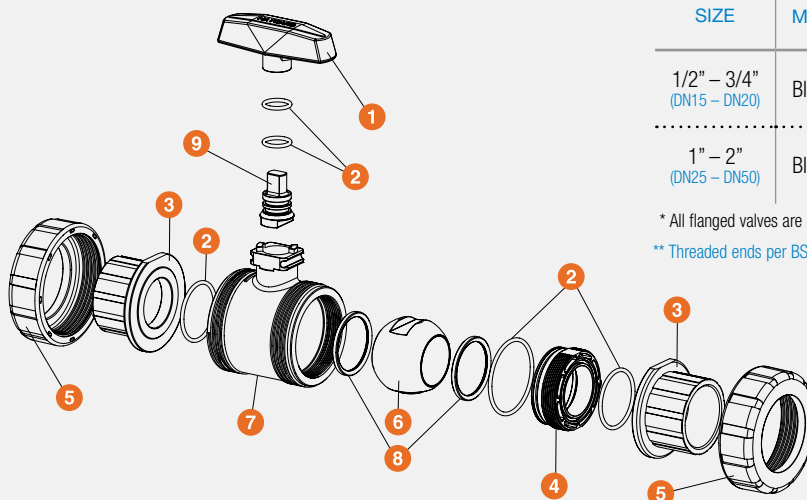
- Pneumatic and Electric Actuators
- Manual Limit Switch
- HDPE Transition Fittings, sold separately
- PVC Socket Ends, sold separately

MATERIALS

- GFPP Cell Class 85580 per ASTM D4101
- FPM and EPDM O-Ring Seals

APPLICATIONS

- Chemical Processing & Transfer
- Mining
- Marine & Corrosive Environments
- Aquaculture
- Irrigation / Agriculture


TECHNICAL INFORMATION
EXPLODED VIEW

SELECTION CHART

SIZE	MATERIAL	END CONNECTION	SEALS	PRESSURE RATING
1/2" – 3/4" (DN15 – DN20)	Black GFPP	Threaded	FPM or EPDM	150 PSI @ 70°F 10 Bar @ 21°C Non-Shock
1" – 2" (DN25 – DN50)	Black GFPP	Threaded or Flanged	FPM or EPDM	150 PSI @ 70°F 10 Bar @ 21°C Non-Shock

* All flanged valves are rated to 150 PSI @ 70°F Non-Shock (10 Bar @ 21°C)

** Threaded ends per BS21. Flanged ends available in DIN / EN PN10.

TB SERIES

BLACK GFPP TRUE UNION BALL VALVES

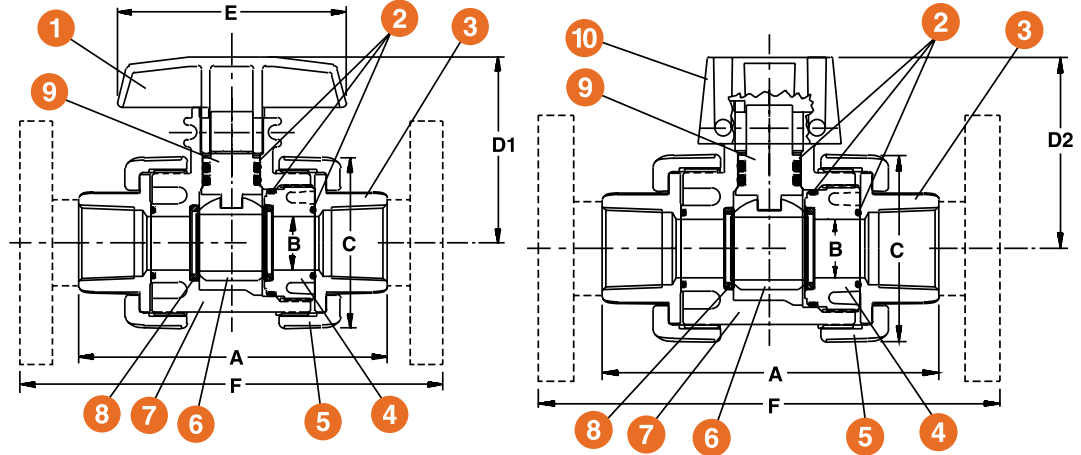
1/2" TO 2" / DN15 - 50 BLACK GFPP

TECHNICAL INFORMATION, CONTINUED

PARTS LIST

1. Handle - GFPP
2. O-Ring Seals - EPDM or FPM
3. End Connector - GFPP
4. Seal Retainer - GFPP
5. Union Nut - GFPP
6. Ball - GFPP
7. Body - GFPP
8. PTFE Seat - GFPP
9. Stem - GFPP
10. Actuator Mounting Pad - GFPP

* Mounting bracket sold separately



DIMENSIONS

SIZE in / DN	A in / mm	B in / mm	C in / mm	D1 in / mm	D2 in / mm	E in / mm	F in / mm	WEIGHT lbs / kg	
								SOC / THD	FLANGED
1/2 / 15*	4.77 / 121	.50 / 13	2.25 / 57	2.81 / 71	2.63 / 67	3.50 / 89	6.75 / 171	.75 / .34	1.00 / .45
3/4 / 20*	4.85 / 123	.75 / 19	2.63 / 67	3.02 / 77	2.81 / 71	3.50 / 89	7.13 / 181	.75 / .34	1.00 / .45
1 / 25*	5.44 / 138	.93 / 24	3.00 / 76	3.26 / 83	3.05 / 77	4.00 / 102	8.09 / 205	1.15 / .52	2.15 / .98
1-1/4 / 32*	6.30 / 160	1.50 / 38	4.00 / 102	3.92 / 100	3.48 / 88	5.00 / 127	-	2.15 / .98	-
1-1/2 / 40*	6.85 / 174	1.50 / 38	4.00 / 102	3.92 / 100	3.48 / 88	5.00 / 127	9.88 / 251	2.15 / .98	3.75 / 1.70
2 / 50*	8.00 / 203	1.94 / 49	4.75 / 121	4.43 / 113	4.00 / 102	5.00 / 127	11.4 / 290	3.80 / 1.72	6.30 / 2.86

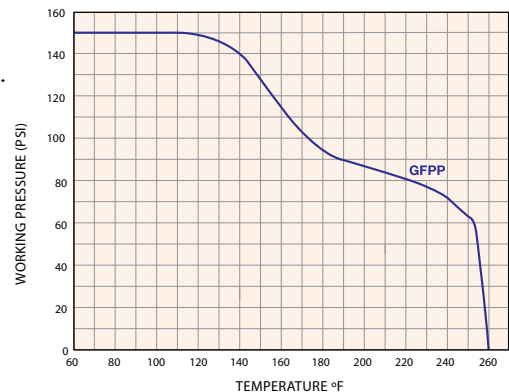
Dimensions are subject to change without notice – consult factory for installation information

* Metric End Connections Available In: BSP – Straight Thread, BSP TR – Tapered Thread

Cv VALUES

SIZE in / DN	Cv VALUES	SIZE in / DN	Cv VALUES	PRESSURE LOSS CALCULATION FORMULA
1/2 / 15	8.0	1-1/2 / 40	90.0	
3/4 / 20	16.0	2 / 50	150.0	
1 / 25	29.0			
1-1/4 / 32	75.0			

OPERATING TEMPERATURE/PRESSURE



Hayward is a registered trademark of Hayward Industries, Inc. © 2023 Hayward Industries, Inc.

NPP0423

Contact Hayward Flow Control with questions:

USA: 1.888.429.4635 • Fax: 1.888.778.8410 • One Hayward Industrial Drive • Clemmons, NC 27012 • Email: hflow@hayward.com
 Canada: 1.888.238.7665 • Fax: 1.905.829.3636 • 2880 Plymouth Drive • Oakville, ON L6H 5R4 • Email: hflowcanada@hayward.com
 Visit us at: haywardflowcontrol.com