

NEW PRODUCT PREVIEW

FLT Series Single Cartridge Filter

10", 20" AND 30" PVC AND CPVC

KEY FEATURES & BENEFITS

- Available in PVC and CPVC
- FPM O-Ring Cover Seals
- Compact Design
- Ergonomic Hand-Removable Cover
- Integral, Plugged Tap on Cover for Easy Bleeding of Filter Vessel
- Fits One DOE 2-1/2" Cartridge

OPTIONS

- Accepts Pleated, Carbon or Wound Filter DOE Cartridges
- BSPT Inlet/Outlet Connection
- PVC or CPVC Support Tube

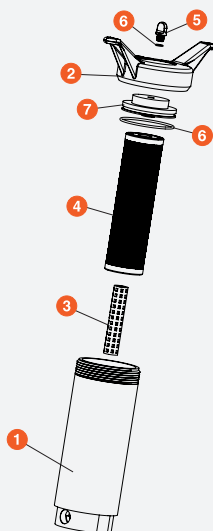
MATERIALS

- PVC Cell Class 12454 per ASTM D1784
- CPVC Cell Class 23447 per ASTM D1784
- PP per ASTM D4101
- FPM and EPDM O-Ring Seals

APPLICATIONS

For 1 to 100 Micron Filtration in:

- Water Treatment
- Plating
- Electronics
- Chemical Processing


TECHNICAL INFORMATION
EXPLODED VIEW

SELECTION CHART

SIZE	MATERIAL	END CONNECTION	SEALS	FLOW RATE	PRESSURE RATING
10"	PVC, CPVC	3/4" NPT**	FPM, EPDM*	10 GPM	150 PSI @ 70°F 10 Bar @ 21°C Non-Shock
20"					
30"					

*Standard seals are FPM. Add "E" to end of part number for EPDM.

**Optional Threaded Ends per BS21

***Cartridge not included



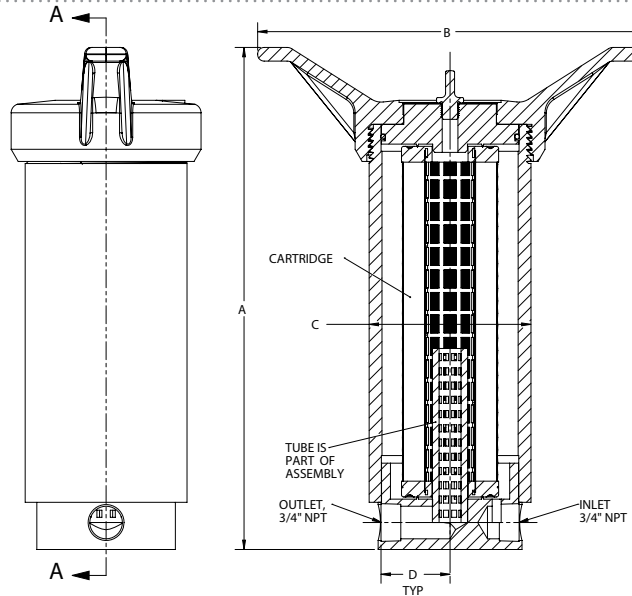
FLT Series Single Cartridge Filter

10", 20" AND 30" PVC AND CPVC

TECHNICAL INFORMATION, CONTINUED

PARTS LIST

1. Body
2. Cover
3. Tube - PP
4. Cartridge*
5. Vent Plug
6. O-Ring
7. Cap



*Cartridge not included

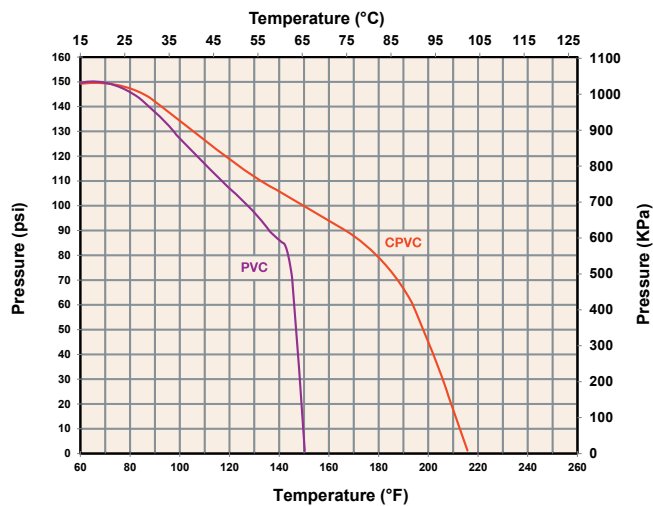
DIMENSIONS

MODEL	A in / mm	B in / mm	C in / mm	D in / mm	WEIGHT lbs / kg
10"	14.0 / 356	10.70 / 272	4.50 / 114	1.90 / 48	7 / 3.18
20"	24.0 / 610	10.70 / 272	4.50 / 114	1.90 / 48	12 / 5.45
30"	34.0 / 864	10.70 / 272	4.50 / 114	1.90 / 48	17 / 7.73

Standard seals are FPM. Add "E" to end of part number for EPDM.

Dimensions are subject to change without notice – consult factory for installation information.

OPERATING TEMPERATURE/PRESSURE



Hayward is a registered trademark of Hayward Industries, Inc.
© 2020 Hayward Industries, Inc.

NPP1120

USA: 1.888.429.4635 • Fax: 1.888.778.8410 • One Hayward Industrial Drive • Clemmons, NC 27012 • Email: hfcsales@hayward.com
Canada: 1.888.238.7665 • Fax: 1.905.829.3636 • 2880 Plymouth Drive • Oakville, ON L6H 5R4 • Email: hfcanada@hayward.com
Visit us at: haywardflowcontrol.com